

KENWOOD

KCA-SR50

SIRIUS INTERFACE BOX FOR CONNECTING KENWOOD HEAD
UNITS TO SIRIUS RECEIVERS

INSTRUCTION MANUAL

BOITIER D'INTERFACE SIRIUS POUR BRANCHEMENT
D'UNITES PRINCIPALES KENWOOD AU RECEPTEURS SIRIUS

MODE D'EMPLOI

CAJA DE INTERFACE SIRIUS PARA CONECTAR UNIDADES
KENWOOD A RECEPTORES SIRIUS

MANUAL DE INSTRUCCIONES

Kenwood Corporation



© 2007 Sirius Satellite Radio Inc. "SIRIUS," the SIRIUS dog logo and related marks are trademarks of Sirius Satellite Radio Inc.

Take the time to read through this instruction manual.

Familiarity with installation and operation procedures will help you obtain the best performance from your new SIRIUS interface box.

For your records

Record the serial number, found on the back of the unit, in the spaces designated on the warranty card, and in the space provided below. Refer to the model and serial numbers whenever you call upon your Kenwood dealer for information or service on the product.

Model KCA-SR50 Serial number _____

US Residence Only

Register Online

Register your Kenwood product at
www.Kenwoodusa.com

© B64-3921-00/00 (K)

Contents

Safety precautions/ Notes	3
Notes	4
Operations	5
How to read	
SIRIUS ID [ESN] display	
Select SIRIUS Satellite Radio Mode	
Selecting the Preset Band	
Tuning	
Channel Preset Memory	
Preset Tuning	
Channel Scan	
Switching Seek Mode	
Category and Channel Search	
Switching Display	
Direct Access Tuning	
Accessories/ Installation Procedure	7
Connecting Wires to Terminals	8
Installation	9
Troubleshooting Guide	10
Specifications	11

Safety precautions/ Notes

▲WARNING

To prevent injury or fire, take the following precautions:

- To prevent a short circuit, never put or leave any metallic objects (such as coins or metal tools) inside the unit.
- Mounting and wiring this product requires skills and experience. For safety's sake, leave the mounting and wiring work to professionals.

▲CAUTION

To prevent damage to the machine, take the following precautions:

- Do not open the top or bottom covers of the unit.
- Do not install the unit in a spot exposed to direct sunlight or excessive heat or humidity. Also avoid places with too much dust or the possibility of water splashing.
- Use only the screws provided or specified for installation. If you use wrong screws, you could damage the unit.
- When drilling a hole in the car to fix the brackets, make sure not to damage the fuel tank, brake tube, wiring harnesses, etc. on the other side.

NOTE

- If you experience problems during installation, consult your Kenwood dealer.
- If the unit does not seem to be working right, try pressing the reset button on the control unit first. If that does not solve the problem, consult your Kenwood dealer.
- When the reset button is pressed, the SIRIUS satellite radio becomes ready to receive after approximately 15 seconds.

Notes

Connectable Models

2007 models

*KDC-X991, *KDC-X891, *KDC-X791, *KDC-MP735U,
*KDC-MP635

KDC-X591, KDC-X491, KDC-MP535U, KDC-MP435U,
KDC-MP3035, KDC-MP335, KDC-MP2035,
KDC-MP235, DPX502, DPX302

*KVT-819DVD, *KVT-719DVD, *DDX8019, *DDX7019,
*DNX7100, *DNX710EX, *KOS-V1000, *KOS-V500

2006 models

*KDC-X990, *KDC-X890, *KDC-X790, *KDC-MP832U,
*KDC-MP732

KDC-X590, KDC-MP632U, KDC-MP532U,
KDC-MP5032, KDC-MP4032, KDC-MP2032,
KDC-MP332, KDC-MP232, KDC-232MR,
DPX701, DPX501, DPX301

*KDV-412, *KVT-617DVD, *DDX6019, *KOS-A200

2005 models

*XXV-01D, *KDC-X889, *KDC-X789, *KDC-MP928,
*KDC-MP828, *KDC-MP7028, *KDC-MP728,
*KDC-MP628

KDC-X589, KDC-MP5028, KDC-MP528, KDC-MP4028,
KDC-MP428, KDC-MP2028, KDC-MP228, KDC-3028,
KDC-328, KDC-228, Ez500

*XXV-05, *KVT-817DVD, *KVT-717DVD, *KVT-M707,
*DDX8017, *DDX7017



- For the models marked with *, the operation method is different from that discussed in this manual. Refer to the Instruction Manual that comes with each control unit.
- For the connectable models released since 2008, contact the dealer.

NOTE

When initially activating your subscription, if you have changed your subscription, or if SIRIUS itself has updated streaming broadcast service, automatic reselection of reception operates by following the current channel setting.

At this time, audio reception may be momentarily interrupted. However, this interruption is not caused by radio interference or reception interference.

FCC WARNING

This equipment may generate or use radio frequency energy. Changes or modifications to this equipment may cause harmful interference unless the modifications are expressly approved in the instruction manual. The user could lose the authority to operate this equipment if an unauthorized change or modification is made.

NOTE

This Class B digital apparatus complies with Canadian ICES-003.

Operations

How to read

The operation method differs depending on the model of the control unit.

For the model with a Control knob, perform the operation steps marked with **A**. For other models, perform the operation steps marked with **B**.

SIRIUS ID [ESN] display

You must have the SIRIUS ID number [ESN] for licensing with SIRIUS Corp. Check the SIRIUS ID [ESN] of this unit as follows.

1 Select the SIRIUS Satellite Radio Mode

Press the [SRC] button.

Select the "SIRIUS"/"SAT" display.

2 Check the SIRIUS ID [ESN] of this unit

See the <Menu System> page of the instruction manual of your control unit, and select the ESN menu item.

The SIRIUS ID [ESN] will be displayed.



• Serial & SIRIUS ID [ESN]

It is especially important to retain the unit serial number and the electronic SIRIUS Identification number for service activation and potential future service changes.

Select SIRIUS Satellite Radio Mode

Listening to the SIRIUS satellite radio.

Press the [SRC] button.

Select the "SIRIUS"/"SAT" display.



- You need to subscribe to SIRIUS to receive the service by SIRIUS Satellite Radio. Consult SIRIUS if "CALL 888-539 SIRIUS TO SUBSCRIBE"/"CALL 888 539-SIRI" appears.
- It may take a little time to start receiving after you selected the SIRIUS source.
- If the signal receiving fails, "Acquiring Signal"/"ACQUIRING SIGNAL" appears.

Selecting the Preset Band

A Push the Control knob toward up.

Each time you push the knob toward up, it switches between the SR1, SR2, SR3 and SR4.

B Press the [FM] button.

Each time the button is pressed, the preset band switches between the SR1, SR2, SR3 and SR4.

Tuning

Selecting the channel.

A Push the Control knob towards right or left.

B Press the [◀◀] or [▶▶] button.

Channel Preset Memory

Putting the channel in the memory.

1 Select the preset band

A Push the Control knob toward up.

B Press the [FM] button.

2 Select the channel to put in the memory

A Push the Control knob towards right or left.

B Press the [◀◀] or [▶▶] button.

3 Put the channel in the memory

Press the desired [1] — [6] button for at least 2 seconds.

The preset number display blinks 1 time.

On each band, 1 station can be put in the memory on each [1] — [6] button.



- Only the channel number is stored. Category information is not stored.
- This function can be used only when the "Channel"/"CHANNEL" has been selected in <Switching Seek Mode> (page 6).

Preset Tuning

Calling up the channels in the memory.

1 Select the preset band

A Push the Control knob toward up.

B Press the [FM] button.

2 Call up the channel

Press the desired [1] — [6] button.

Operations

Channel Scan

Every receivable channel is checked for 10 seconds.

1 Start Channel Scan

Press the [AUTO] button for at least 2 seconds.
The channel scan will start.

2 Release it when the channel you want to listen to is received

Press the [AUTO] button for at least 2 seconds.

Switching Seek Mode

Sets the seeking mode.

Press the [AUTO] button.

Each time the button is pressed, the Seek mode switches as shown below.

Display	Operation
"Channel"/"CHANNEL"	Normal manual seeking control.
"Preset"/"PRESET"	Search in order of the channels in the Preset memory.



- This function cannot be used in the category and channel search mode.

Category and Channel Search

Select the category and channel you wish to listen to.

1 Enter category and channel search mode

Press the [▶II] button.

2 Select the category

- A** Push the Control knob towards up or down.
- B** Press the [FM] or [AM] button.

3 Select the channel

- A** Push the Control knob towards right or left.
- B** Press the [◀◀] or [▶▶] button.

Canceling category and channel search mode

Press the [▶II] button.



- You cannot operate this unit until all the Category information is acquired.

Switching Display

When you are listening to the Sirius satellite radio, you can switch over the display information as follows.

For operations, see the <Switching Display> page of the instruction manual of your control unit.



- What is displayed may partly depend on control units to be connected.

Information

Channel Name

Song Title

Artist Name

Composer name

Category Name

Band & Channel Number



- If the text, including Channel name, etc. is selected when the channel which does not have text, including Channel name, etc. is played, band & channel number is displayed.

Function of remote control

Direct Access Tuning

Entering the channel and tuning.

1 Enter Direct Access Tuning mode

Press the [DIRECT] button on the remote control.

2 Enter the channel

Press the number buttons.

3 Do Channel Search

Press the [◀◀] or [▶▶] button.

Canceling Direct Access Tuning

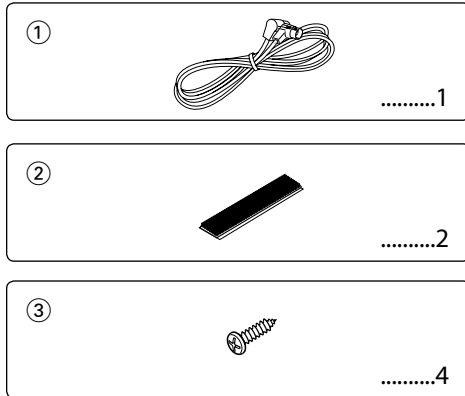
Press the [DIRECT] button on the remote control.



- If you make no button operation for 10 seconds, the Direct Access Tuning mode is automatically canceled.
- If you cannot receive any signal in the input channel due to a bad condition on radio wave or another problem, "Acquiring Signal"/ "ACQUIRING SIGNAL" appears.

Accessories/ Installation Procedure

Accessories



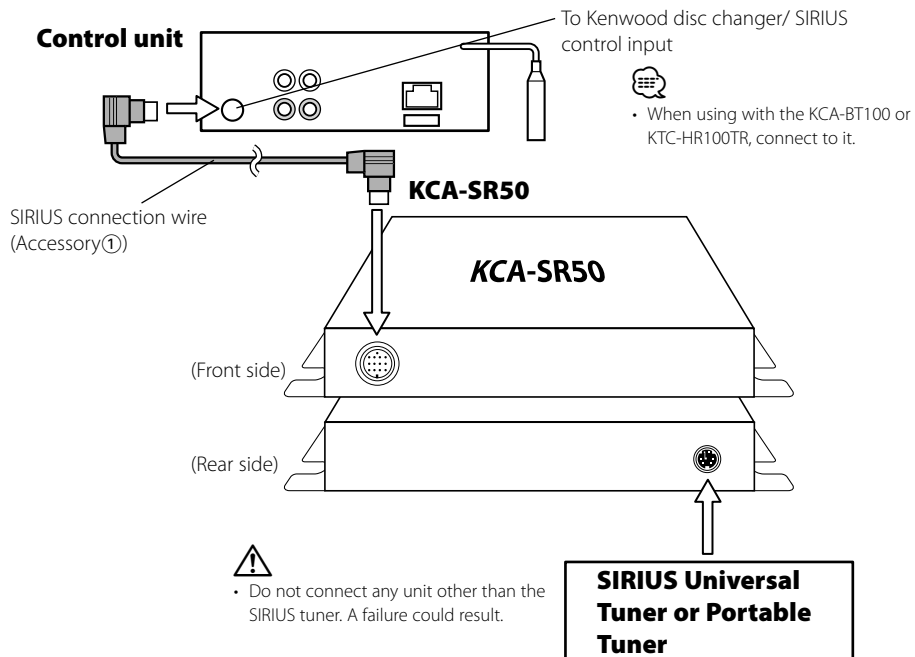
Installation Procedure

1. To prevent a short circuit, remove the key from the ignition and disconnect the ⊖ battery.
2. Connect the SIRIUS interface box and the control unit using the provided SIRIUS connection wire.
3. Make the proper input and output wire connections for each unit.
4. Install the unit in your car.
5. Reconnect the ⊖ battery.
6. Press the reset button.

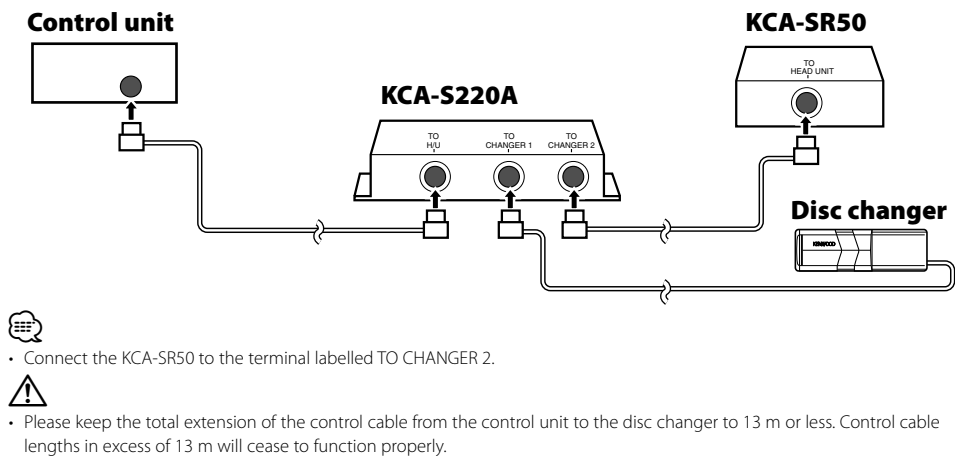


- Do not connect the SIRIUS connection wire while the control unit is turned ON.
- Be sure to press the reset button on the control unit after installation.
- If your car is not prepared for this special connection-system, consult your Kenwood dealer.
- Make sure that all wire connections are securely made by inserting jacks until they lock completely.
- Do not let unconnected wires or terminals touch metal on the car or anything else conducting electricity. To prevent short circuits, also do not remove the caps on the ends of the unconnected wires or the terminals.
- Insulate unconnected wires with vinyl tape or other similar material.
- Take care so that the antenna wire and other connection wires are not caught by mobile parts. Otherwise wire disconnection or other trouble may result.
- Do not apply too much force on the antenna wire, other connection wires and connectors by bending a wire, etc. Otherwise wire disconnection or other trouble may result.
- After the unit is installed, check whether the brake lamps, indicators, wipers, etc. on the car are working properly.

Connecting Wires to Terminals



If you want to connect KCA-S220A

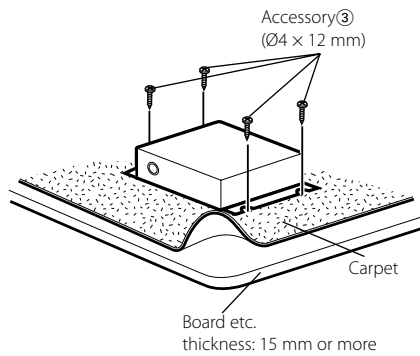


Installation

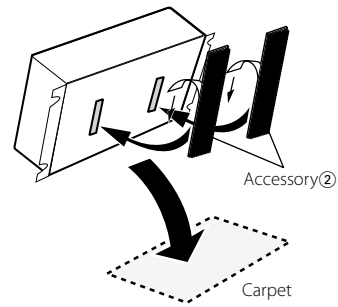


- Install the unit in a well-ventilated location and do not place objects on top of it.
- When installing to the car, the unit should be securely fastened at a location that will not interfere with driving.
- When making a hole in the chassis, check that the gas tank, break pipe, wire harness, or other part is not located on the other side, and be careful not to cause scratches.

Installation using the self-tapping screws



Installation using the velcro tapes



- Please do not install the unit near the dashboard, the rear tray, or other important components. Doing so could lead to injury or accident should the unit come off due to a shock and strike a person or an important component. Tapping screws should be used for mounting. (Attachment with velcro strips, although easy, can come off with a shock.)

Troubleshooting Guide

If you use this for the first time, it may be difficult to receive signals in the beginning. In such a case, leave the SIRIUS source ON for 3 minutes and turn it OFF and ON.

What might appear to be a malfunction in your unit may just be the result of slight misoperation or miswiring. Before calling service, first check the following table for possible problems.

? The SIRIUS mode cannot be selected.

- ✓ The SIRIUS connection wire is not connected.
 - ✎ Use the SIRIUS connection wire to connect the control unit and the SIRIUS satellite radio tuner.
- ✓ The changer switching unit "KCA-S220A" is not connected properly.
 - ✎ Connect the KCA-SR50 to the terminal labelled TO CHANGER 2. See the section on <Connecting Wires to Terminals>.

? Nothing happens when the buttons are pressed.

- ✓ The computer chip in the unit is not functioning normally.
 - ✎ Press the reset button on the Control unit.

? No broadcast can be received.

- ✓ No subscription is established.
 - ✎ Subscribe to SIRIUS.

The following messages are displayed when certain problems are occurring in your system. Take the recommended actions.

ANTENNA ERROR / ANT ERR / ANT ERROR :

- Antenna is not connected correctly.
 - ⇨ Make sure the antenna is connected correctly and then turn OFF/ON of the SIRIUS source or Control unit.

TUNER ERROR / TUNE ERR :

- Broadcast cannot be received due to an error in this unit.
 - ⇨ Turn OFF/ON of the SIRIUS source or Control unit, or press the reset button of Control unit.

ESN ERROR / ESN ERR :

- ESN (Electronic Serial Number) is not registered in this unit.
 - ⇨ Consult your nearest service center.

CHECK SIRIUS / CHK SSR :

- The SIRIUS tuner is disconnected or a unit other than the SIRIUS tuner is connected.
 - ⇨ Check the connection to the SIRIUS tuner.



Specifications

Specifications subject to change without notice.

General

Operating voltage (11 – 16V allowable)
: 14.4 V
Current consumption
: 420 mA
Installation Size (W x H x D)
: 127 x 35 x 52 mm
5 x 1-3/8 x 2-1/16 inch
Weight
: 0.17 kg (0.37 lbs)

