

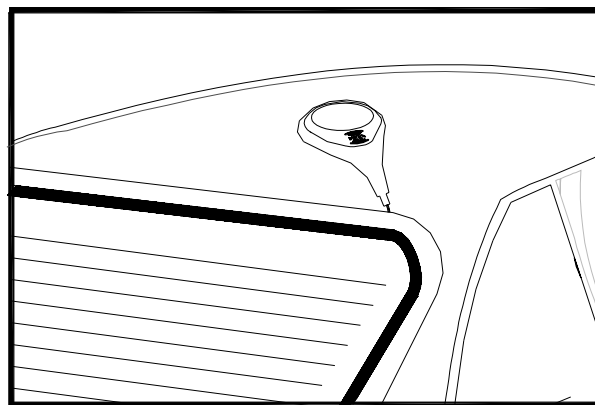
SATELLITE ROOF MOUNT ANTENNA

FEATURES

- Low Profile Design
- No Drilling Required

INSTALLATION TIPS

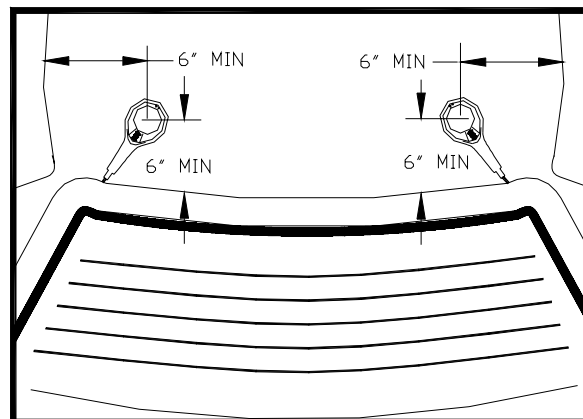
- Recommended for SUV'S, vans, pick-up trucks, hatchbacks and other roof top applications where cable routing channels exist.
- Professional installation recommended.
- Do not install if air temperature is below 60 degrees F. If temperature of roof surface is less than 60 degrees F., warm surface using a standard hair dryer.
- The cable length, as supplied, is part of the electrical circuit of the antenna. **DO NOT ALTER CABLE LENGTH. Cable must not be cut, spliced or altered in any manner, as reception will be adversely affected.** Excess cable may be stored where it will not be damaged.
- Care must be taken during installation so as to avoid nicks, cuts or other damage to the cable. Once damaged, the cable cannot be repaired or replaced.
- The connectors should not be removed for routing purposes these cannot be repaired or replaced in the field.
- This is a permanent installation and damage may occur if not properly removed. Contact XM radio professional installer for removal.



INSTALLATION INSTRUCTIONS

1. Identify mounting location. Assure 6 inch minimum metallic ground plane surrounds the antenna. Allow 6 inches from antenna center to roof edge.
2. Clean mounting surface thoroughly with Isopropyl Alcohol only. **CAUTION: Silicone based waxes may diminish adhesive bonding.**
3. Remove release liners from the adhesive pad on bottom of antenna.
4. Place antenna on roof of vehicle at mounting location selected. Apply firm pressure for 60 seconds to antenna to secure to mounting surface. **CAUTION: Adhesive pad will stick to roof instantly and cannot be removed. Be sure positioning is correct before it touches the roof surface.**
5. Assure entire perimeter of cover is firmly pressed against mounting surface of vehicle.
6. Route cable to receiver.
7. Attach connectors to the radio. (SAT-Curry yellow; TER-Green)

TYPICAL MOUNTING LOCATIONS



Antenna must have a 6 inch minimum metallic ground plane from antenna center as shown.



An Allen Telecom Company

The Antenna Specialists Co.
31225 Bainbridge Rd.
Cleveland, Ohio 44139-2281 U.S.A.
ph. 440-349-8400 fax 440-349-8407
www.antenna.com